

MA 22000 Lesson 3(b) Worksheet

1. Multiply.

a)  $(u-5)(3u^2-7u+2)$

b)  $(x^2+x-2)(x^2-3x-2)$

2. Use "special product" formulas to find the products.

a)  $(5x+4)(5x-4)$

b)  $(3x-8)^2$

c)  $(4x+3)^2$

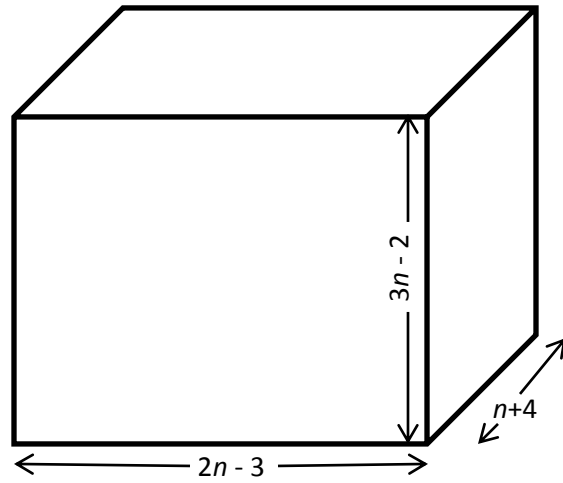
3. Write each as a polynomial.

a)  $(4-a)^3$

b)  $(c+5)^2(c-5)^2$

c)  $(2g-1)^4$

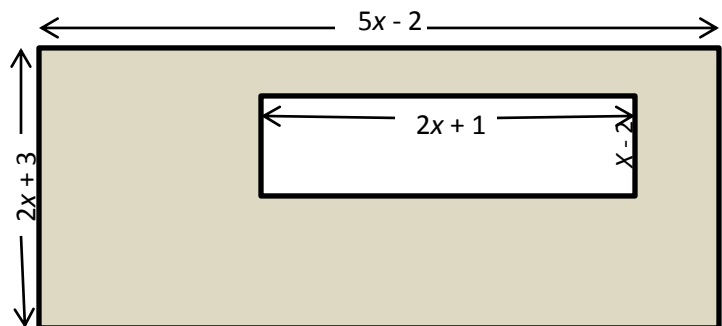
4. Write a polynomial that represents the volume of this rectangular box.



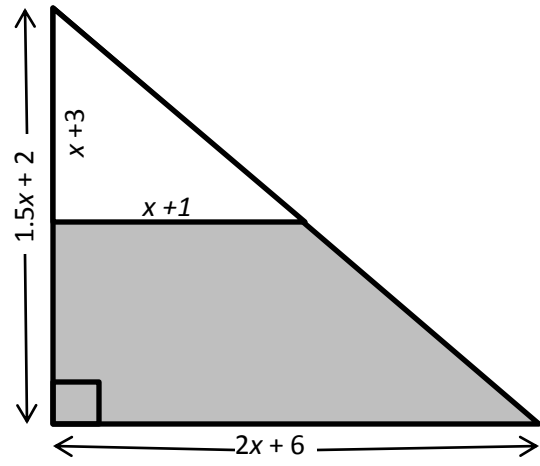
5. Write a polynomial for the rectangular box shown above in problem 4, if the length and width are both increased by 2 and the height is decreased by 3.

Find the area of the shaded region in each problem.

- 6.



7.



8.

