

MA 15910 Lesson 3(b) Worksheet

1. Multiply.

a) $(u - 5)(3u^2 - 7u + 2)$

b) $(x^2 + x - 2)(x^2 - 3x - 2)$

2. Use “special product” formulas to find the products.

a) $(5x + 4)(5x - 4)$

b) $(3x - 8)^2$

c) $(4x + 3)^2$

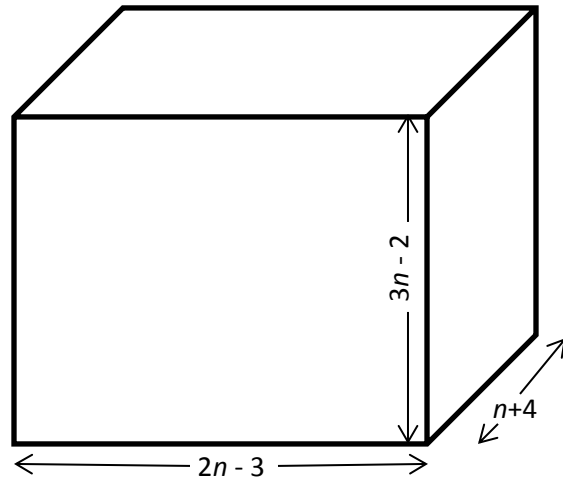
3. Write each as a polynomial.

a) $(4 - a)^3$

b) $(c + 5)^2(c - 5)^2$

c) $(2g - 1)^4$

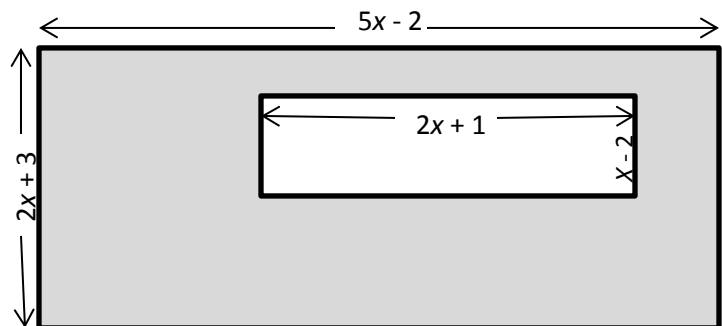
4. Write a polynomial that represents the volume of this rectangular box.



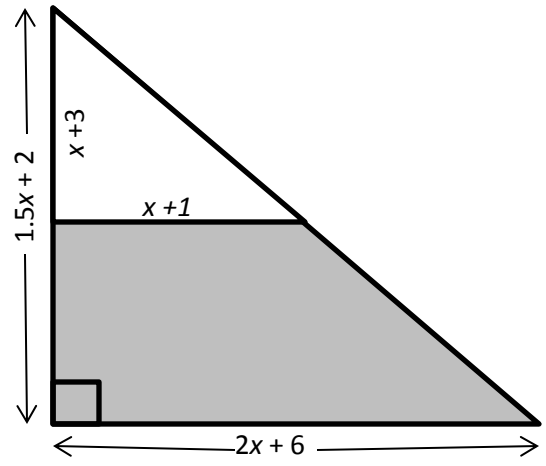
5. Write a polynomial for the rectangular box shown above in problem 4, if the length and width are both increased by 2 and the height is decreased by 3.

Find the area of the shaded region in each problem.

- 6.



7.



8.

