

MA 15910 Lesson 3(b) Worksheet

1. Multiply.

a)  $(u - 5)(3u^2 - 7u + 2)$

b)  $(x^2 + x - 2)(x^2 - 3x - 2)$

2. Use "special product" formulas to find the products.

a)  $(5x + 4)(5x - 4)$

b)  $(3x - 8)^2$

c)  $(4x + 3)^2$

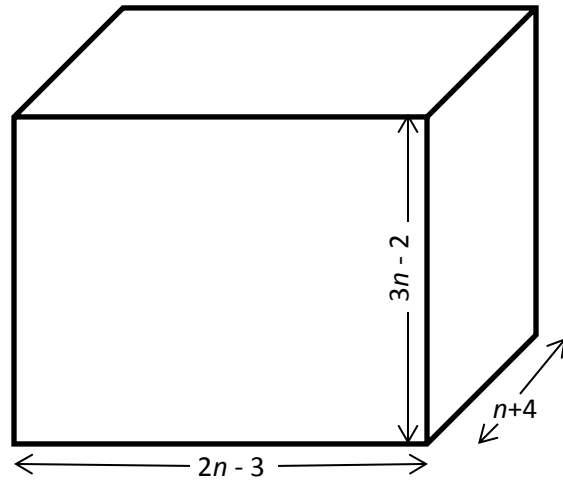
3. Write each as a polynomial.

*a*)  $(4 - a)^3$

*b*)  $(c + 5)^2(c - 5)^2$

*c*)  $(2g - 1)^4$

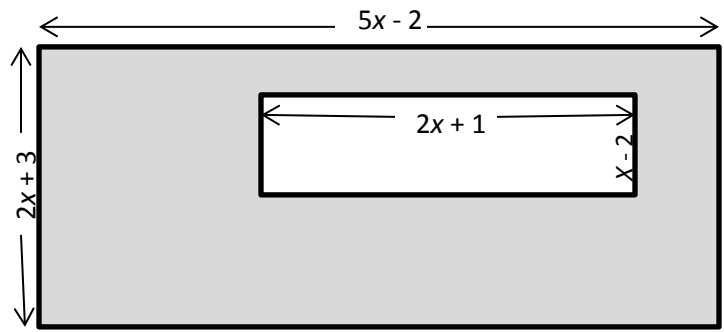
4. Write a polynomial that represents the volume of this rectangular box.



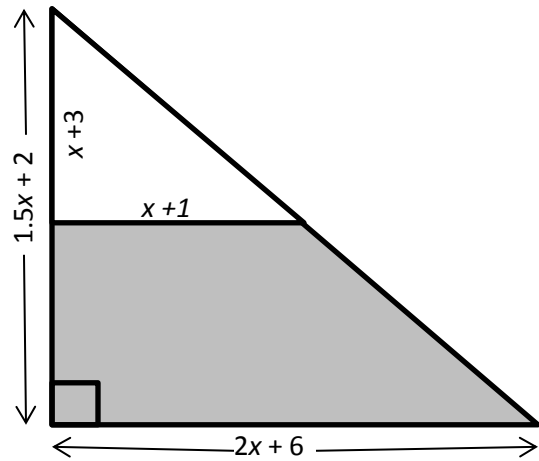
5. Write a polynomial for volume of the rectangular box shown above in problem 4, if the length and width are both increased by 2 and the height is decreased by 3.

Find the area of the shaded region in each problem.

6.



7.



8.

