

# *1*

---

## *Figures*

### 1.1 FIGURES

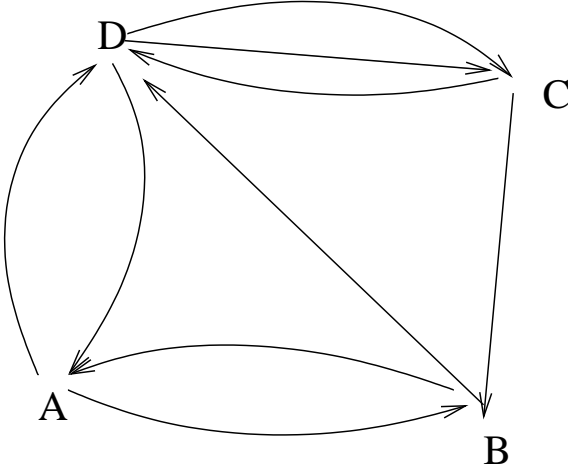
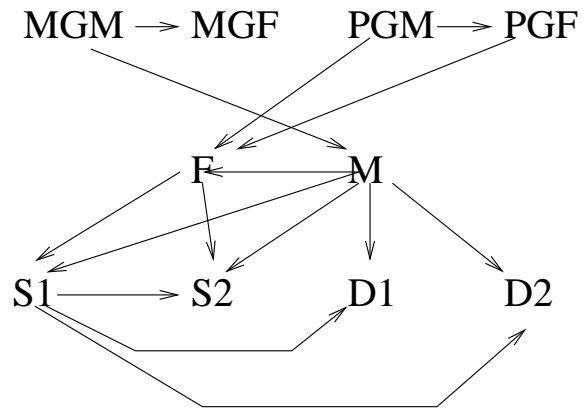
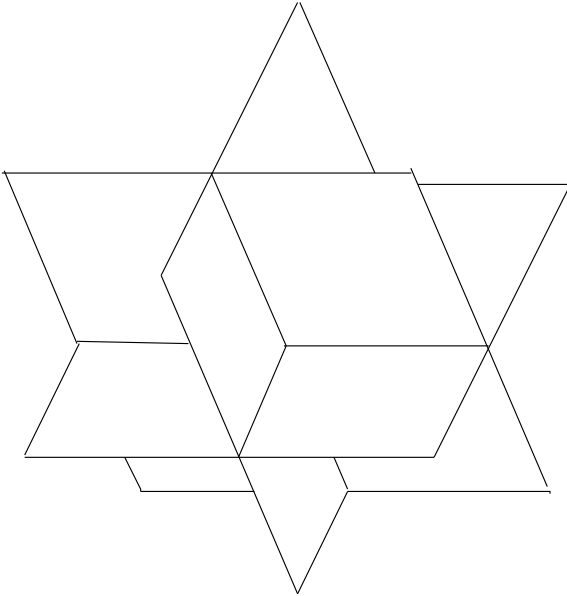


Fig. 1.10 Route map.

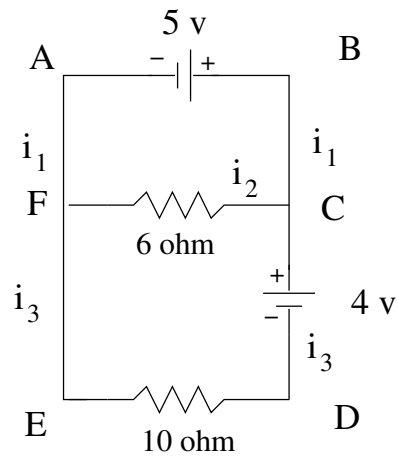
2 FIGURES



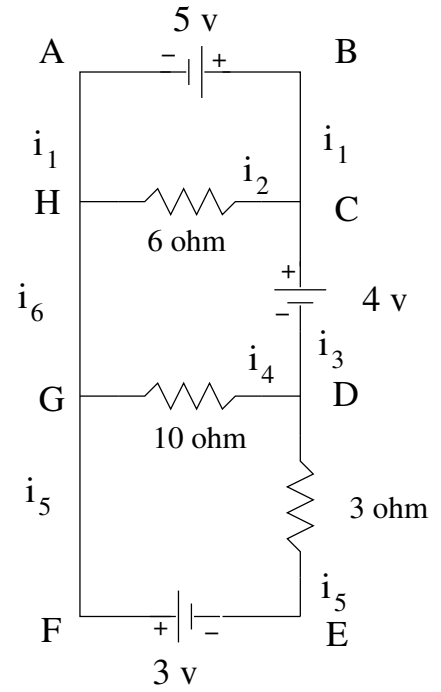
**Fig. 1.11** Dominance in an extended family.



**Fig. 1.14** Only one solution.



(a)



(b)

**Fig. 1.22** Exercises 2 and 3 (2) on page 43.